

PRODUCT INFORMATION PACKET



Model No: C6K17NC19 A

Catalog No: 6439191264

2HP..1800RPM.56C.TENV.115/230V.1PH.60HZ.15 MIN.NOT.40C.1.15SF.C-FACE.BOAT HOIST.

Boat Hoist Duty



Regal and Leeson are trademarks of Regal Beloit Corporation or one of its affiliated companies.

©2018 Regal Beloit Corporation, All Rights Reserved. MC017097E



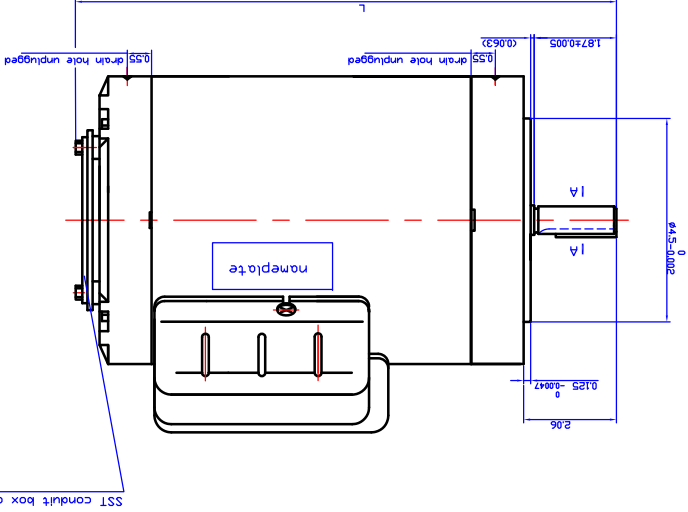
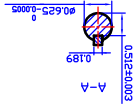


Nameplate Specifications

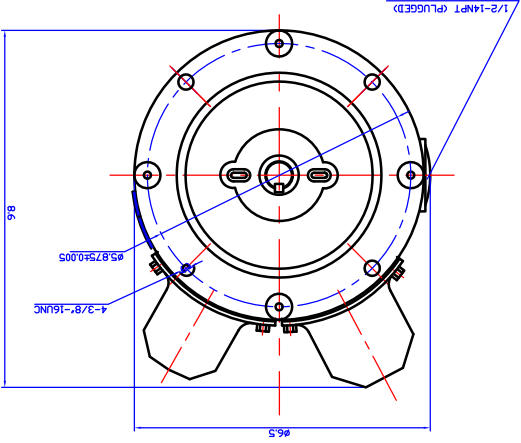
Output HP	2 Hp	Output KW	1.5 kW
Frequency	60 Hz	Voltage	115/230 V
Current	18.0/9.0 A	Speed	1725 rpm
Service Factor	1.15	Phase	1
Efficiency	76 %	Duty	15 Minute
Insulation Class	B	Design Code	N
KVA Code	J	Frame	56C
Enclosure	Totally Enclosed Non Ventilated	Overload Protector	No
Ambient Temperature	40 °C	Drive End Bearing Size	6203
Opp Drive End Bearing Size	6203	UL	Recognized
CSA	Y	CE	Y
IP Code	43		

Technical Specifications

Electrical Type	Capacitor Start Capacitor Run	Starting Method	Across The Line
Poles	4	Rotation	Selective Counterclockwise
Mounting	Round	Motor Orientation	HORIZONTAL
Drive End Bearing	BALL	Opp Drive End Bearing	BALL
Frame Material	Stainless Steel	Shaft Type	T
Overall Length	13.40 in	Frame Length	7.68 in
Shaft Diameter	0.625 in	Shaft Extension	1.88 in
Assembly/Box Mounting	F1 ONLY		
Outline Drawing	169993.00	Connection Diagram	005054.01



Electro.Co.t FRAME	HP	Volt	RPM	Hz	PH	Encl.	S.F.	Duty	thermal protector	L
6439191263	56C	115/230	1725	60	1	TENV	1.15	15Min.	N/A	12.6
6439191264	56C	115/230	1725	60	1	TENV	1.15		N/A	13.4

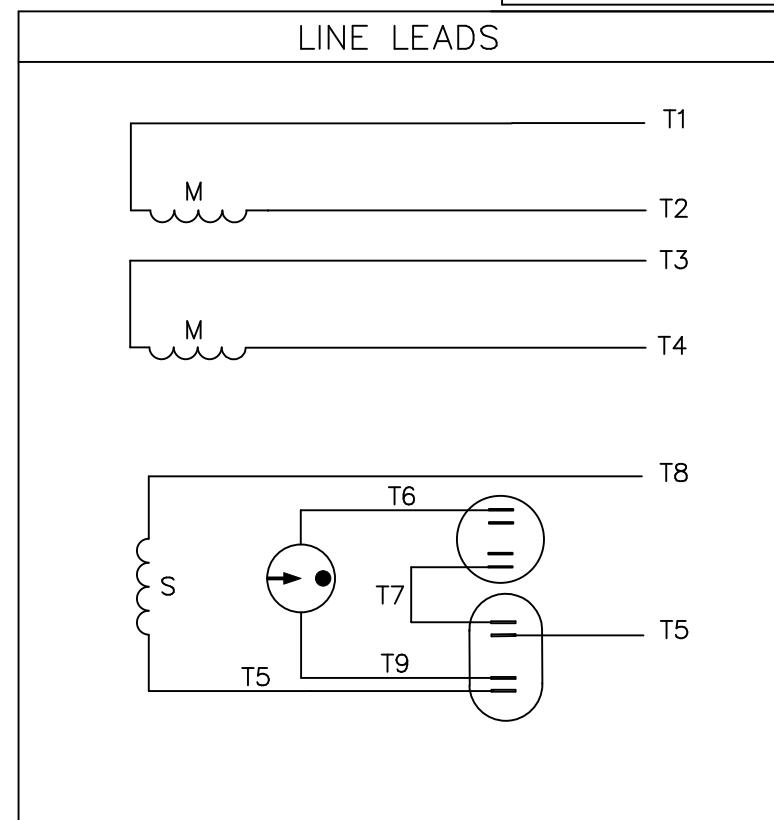
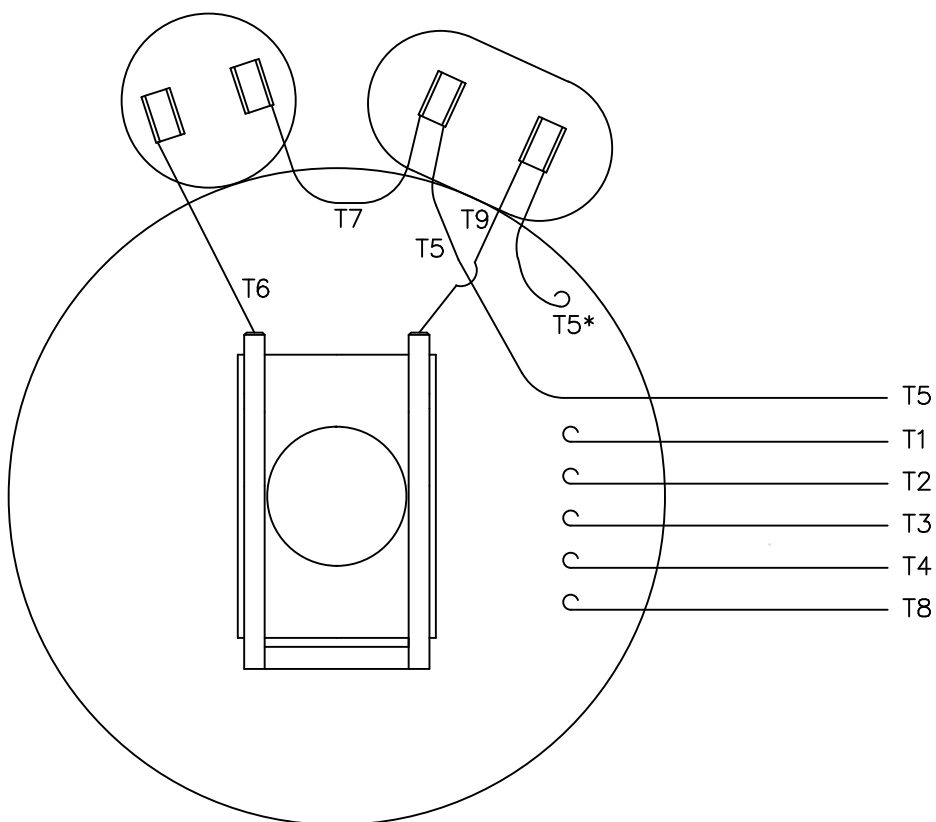


TOLERANCES UNLESS OTHERWISE SPECIFIED

THIS DRAWING IN DESIGN AND DETAIL IS OUR PROPERTY AND MUST NOT BE USED EXCEPT IN CONNECTION WITH OUR WORK ALL RIGHTS OF DESIGN AND INVENTION ARE RESERVED		THIS IS AN ELECTRONICALLY GENERATED DOCUMENT - DO NOT SCALE THIS PRINT	
NO.	REVISION	BY & DATE	CHK'D.
REF.	DATE	2009.9.29	REV.
DRAWN	TITLE	6439191263, 6439191264 outline drawing	
APPR.	R.F.P.	CUSTOMER	
SCALE			
F.M.F.			

- Note:
- The capacitor leads to be connected using flag terminals.
 - All the hardware are using SST.
 - Drain holes at 6:00.
 - C flange mounting holes have plugs.

VIEW FROM OUTSIDE OF MOTOR AT SWITCH END.



	ROTATION FACING LEAD END	L1	L2	JOIN
HIGH VOLT	C.C.W.	T1	T4 T5	T2,T3 T8
	C.W.	T1	T4 T8	T2,T3 T5
LOW VOLT	C.C.W.	T1 T3,T8	T2,T4 T5	
	C.W.	T1,T3 T5	T2,T4 T8	

* THIS LEAD MAY BE WHITE

		TOLERANCES UNLESS SPECIFIED		ELECTRIC MOTORS GEARMOTORS AND DRIVES		DRAWN JRW 09/27/74			
		DEC.	INCHES	LEESON		CHK	TEM		
		.X	±.1			APPD	10/11/74		
11	ALTERNATE T5 LEAD MARKING WAS RED	RLW	8/6/02	.XX	±.01	TITLE	EXT. WIRING DIAGRAM		
10	ADDED ALTERNATE T5 LEAD MARKING	RLW	6/5/02	KH	.XXX ±.005	TYPE "K" W/O PROTECTOR			
09	REDRAWN TO CAD	DBT	05/28/97		.XXXX ±.0005	MAT'L.	DECAL-004012		
NO.	REVISION	BY & DATE	CHK	ANG	±1/2'	FINISH	PREV		
THIS DRAWING IN DESIGN AND DETAIL IS OUR PROPERTY AND MUST NOT BE USED EXCEPT IN CONNECTION WITH OUR WORK ALL RIGHTS OF DESIGN AND INVENTION ARE RESERVED THIS IS AN ELECTRONICALLY GENERATED DOCUMENT - DO NOT SCALE THIS PRINT				RFP	CAD FILE	00505401	SIZE	DRAWING NO.	REV.
				DIST	BRF-NLV		A	005054-01	11



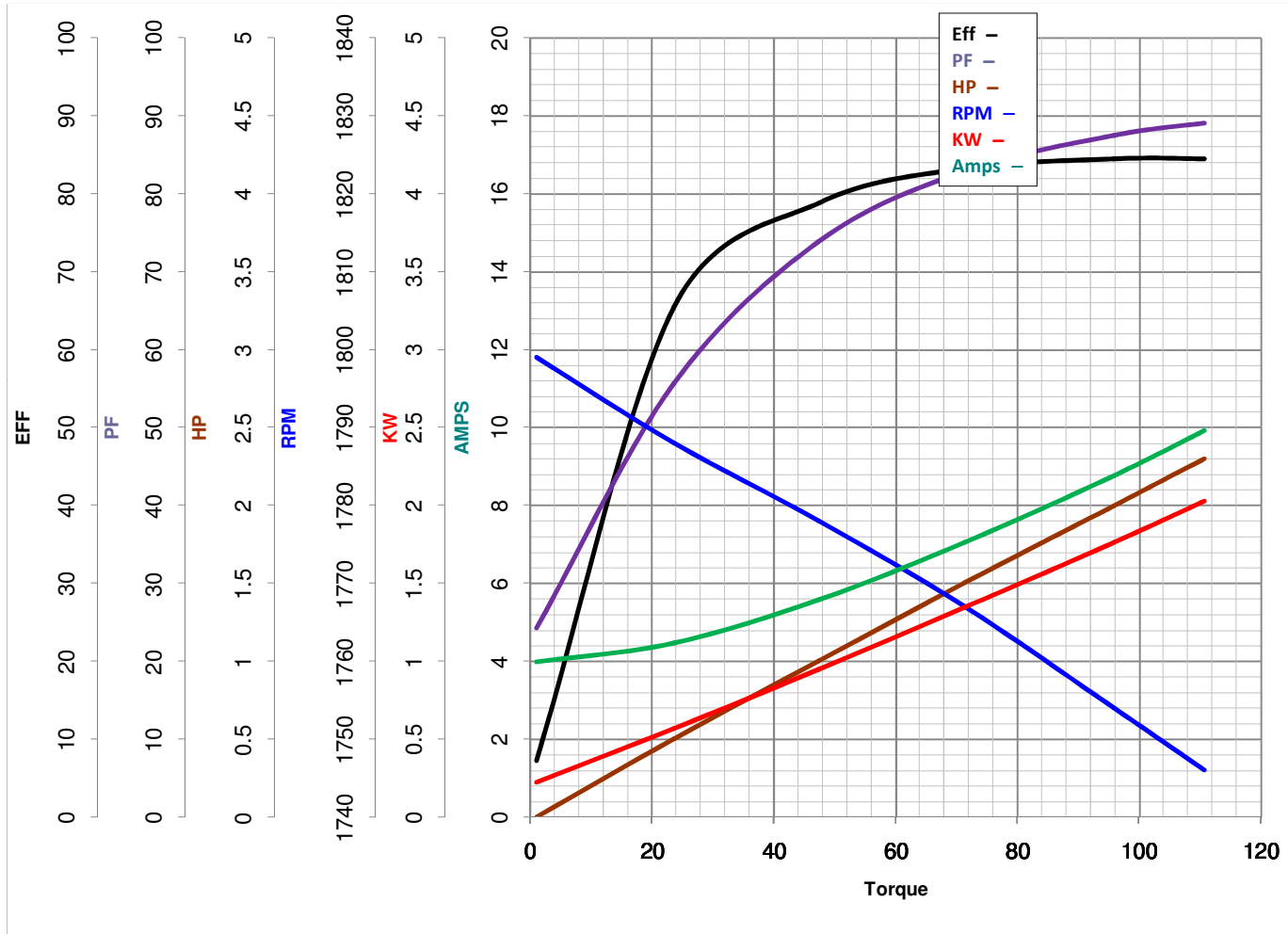
LEESON ELECTRIC CORPORATION
 TYPICAL PERFORMANCE CURVE for AC MOTOR

Model No 6439191264

Curve at 230 Volts HP 2.00 PHASE 1
60 HZ
2 HP VOLTS 115/230

Catalog No 6439191264

HZ 60 RPM 1725



Torque in Lb.Ft

FL TORQUE 5.988 Lb.Ft
 BD TORQUE 16.9 Lb.Ft
 LR TORQUE 13.79 Lb.Ft

FL AMPS 18.0/9.0
 PU TORQUE 11.3 Lb.Ft
 LR AMPS 69.3

WINDING QK63412-3

Date 3/26/2018